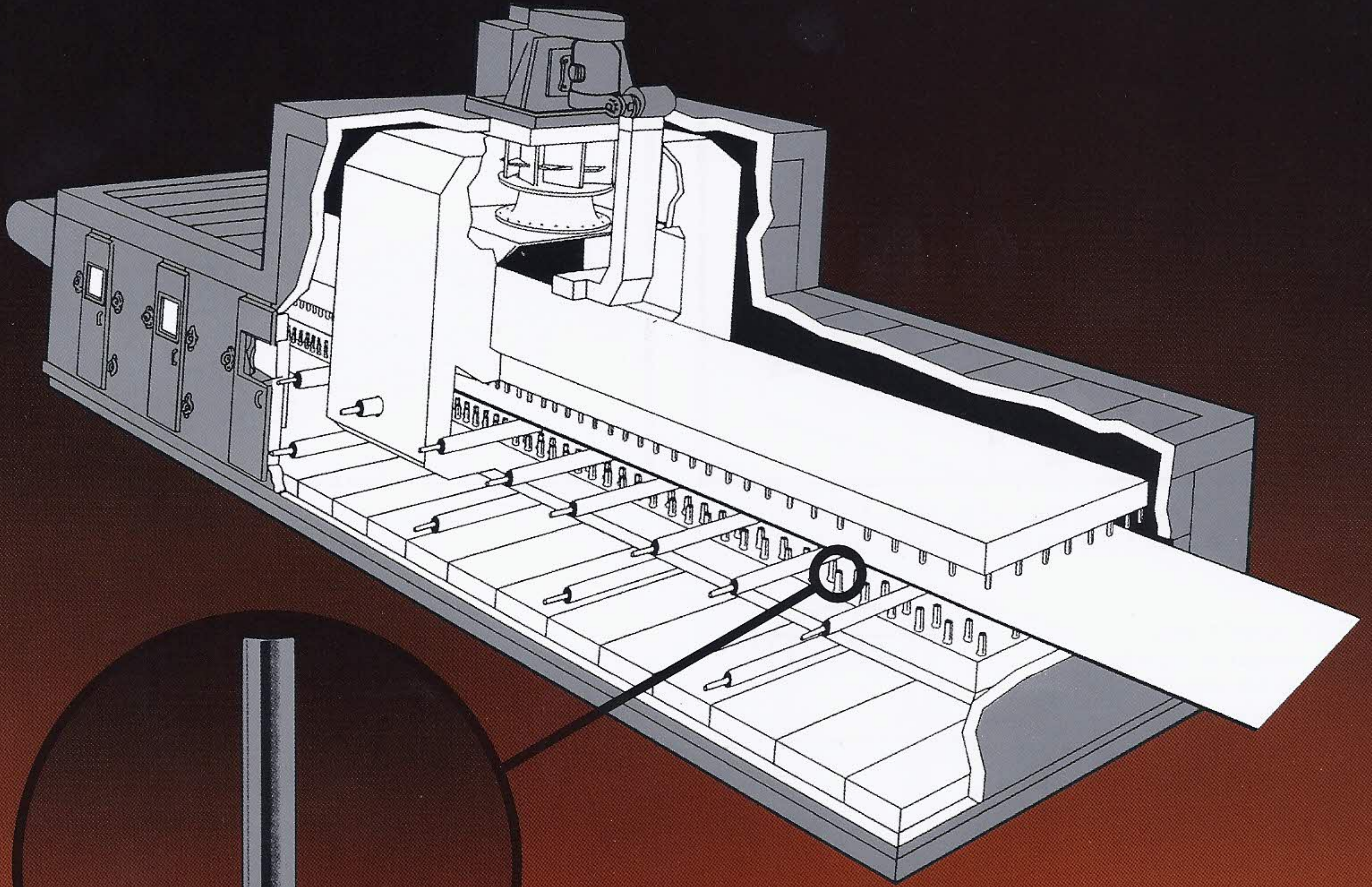




Heat Process Air



Typical Hi-Velocity Tube application
for maximum heat transfer to product.

Efficient Energy Effects

